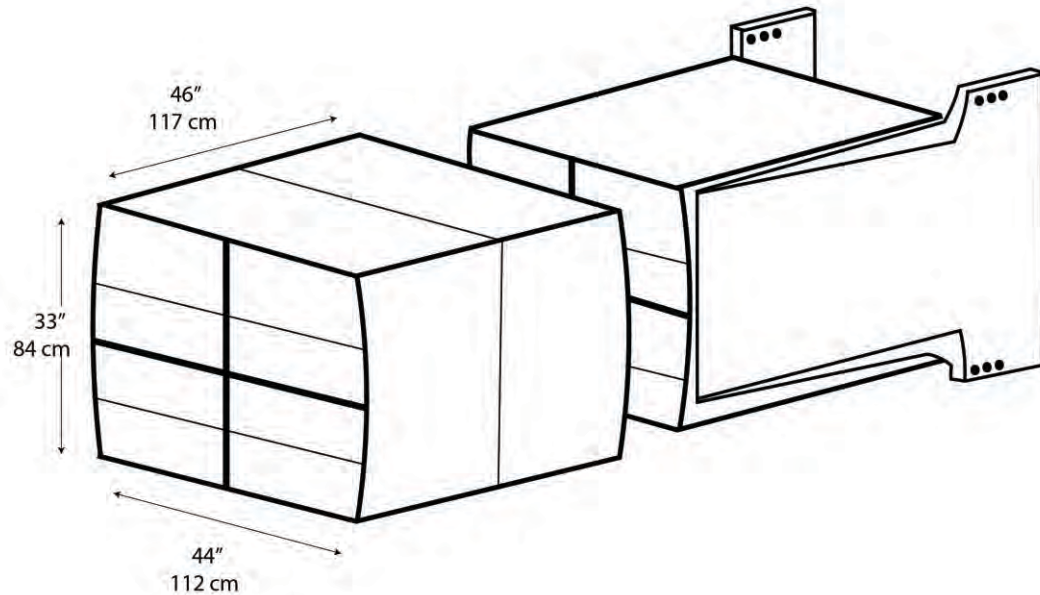


### MAG Bale



	Description:
	MAG Bale Output
250 Charlesworth Avenue Cochrane, Alberta T4C 1B6 Ph: (403) 932-7767 Fax: (403) 932-7798	

MAG Bale Specifications	
Design Weight	Max Weight
450 Kg / 992 Lbs	Kgs / Lbs

### High Cube Container Loading

9 rows x 6 bales + 2 bales end bales  
 = 56 bales per container @ 450 Kg/992 Lbs\*

= 55,552 Lbs

= 25.2 MT

\*in quality Alfalfa

