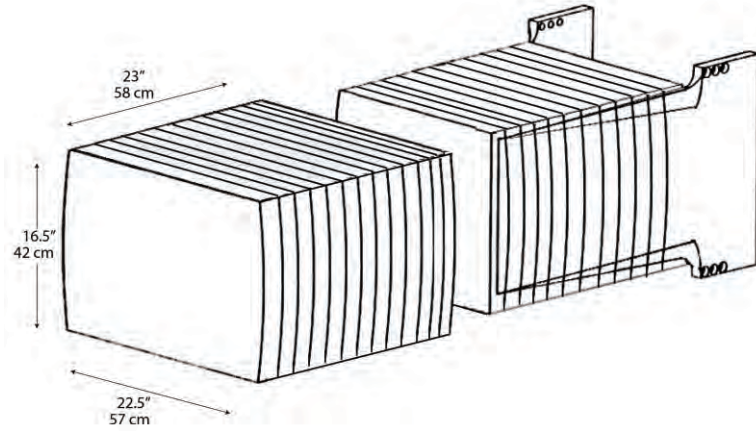


FC8322 - Whole Bale



FC8322 Bale Specifications	
Design Weight	Max Weight
59 Kg / 130 Lbs	Kgs / Lbs

Standard Container Loading

20 rows x 20 bales
= 400 bales per container @ 59 Kg/130 Lbs*

= 52,000 Lbs

= 23.6 MT

High Cube Container Loading

20 rows x 24 bales
= 480 bales per container @ 59 Kg/130Lbs*

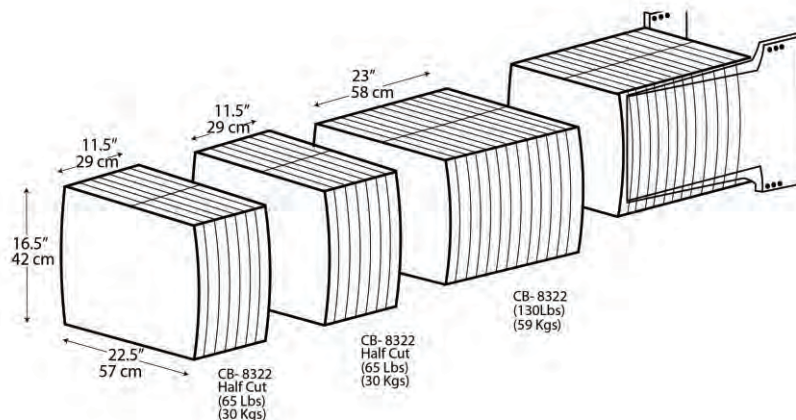
= 62,400 Lbs

= 28.3 MT

*in quality Alfalfa



FC8322 - Half-Cut Bale



FC8322 BALE HALF CUT SPECS	
Design Weight	Max Weight
30 Kg / 65 Lbs	Kgs / Lbs

Standard Container Loading

40 rows x 20 bales
= 800 bales per container @ 30 Kg/65 Lbs*

= 52,000 Lbs

= 23.6 MT

High Cube Container Loading

40 rows x 24 bales
= 960 bales per container @ 30 Kg/65 Lbs*

= 62,400 Lbs

= 28.3 MT

*in quality Alfalfa

