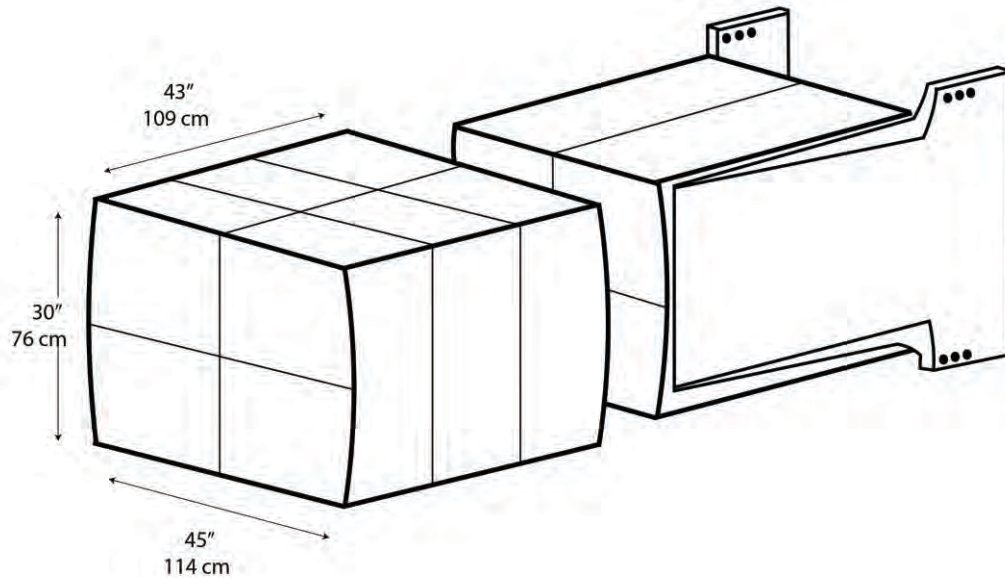


### FC7700



	Description:
	FC7700 OUTPUT BALE WITH BLADES 250 Charlesworth Avenue Cochrane, Alberta T4C 1B6 Ph: (403) 932-7767 Fax: (403) 932-7798

FC7700 Bale Specifications	
Design Weight	Max Weight
450 Kg / 990 Lbs	Kgs / Lbs

#### Standard Container Loading

10 rows x 6 bales  
 = 60 bales per container @ 450 Kg/990 Lbs\*  
 = 59,400 Lbs  
 = **27 MT**

#### High Cube Container Loading

10 rows x 6 bales  
 = 60 bales per container @ 450 Kg/990 Lbs\*  
 = 59,400 Lbs  
 = **27 MT**

\*in quality Alfalfa



Output blades & a cutter box can be added to create up to 4 individual cuts in the interior of the bale, allowing the bale to break apart easily for end-users.