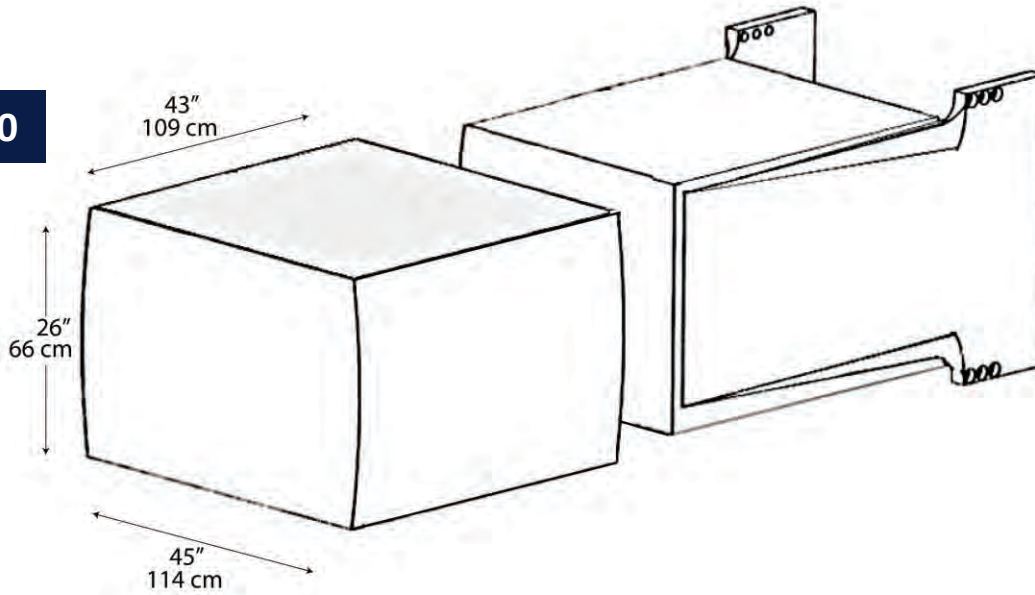


FC6700



FC6700 Bale Specifications	
Design Weight	Max Weight
330 Kg / 727 Lbs	Kgs / Lbs

High Cube Container Loading

10 rows x 8 bales
= 80 bales per container @ 330 Kg/727 Lbs*

= 58,160 Lbs

= **26.4 MT**

*in quality Alfalfa

