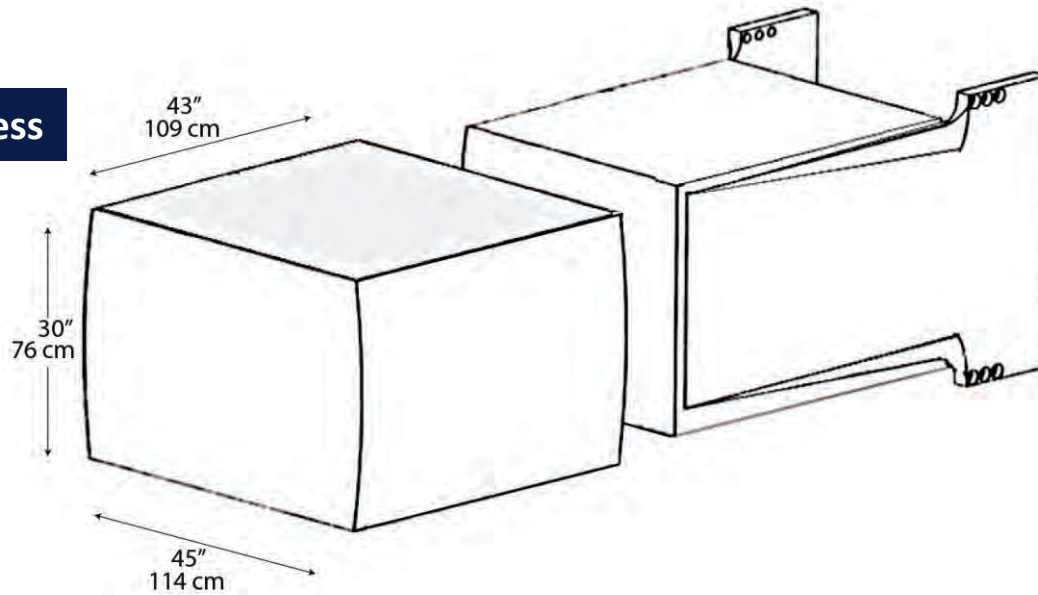


Chaff Press



Chaff Press Bale Specifications

Design Weight	Max Weight
300 Kg / 661 Lbs	Kgs / Lbs

Standard Container Loading

10 rows x 6 bales
= 60 bales per container @ 300 Kg/661 Lbs*

= 39,683 Lbs
= **18 MT**

*in quality Alfalfa

High Cube Container Loading

10 rows x 6 bales
= 60 bales per container @ 300 Kg/661 Lbs*

= 39,683 Lbs
= **18 MT**

*in quality Alfalfa

